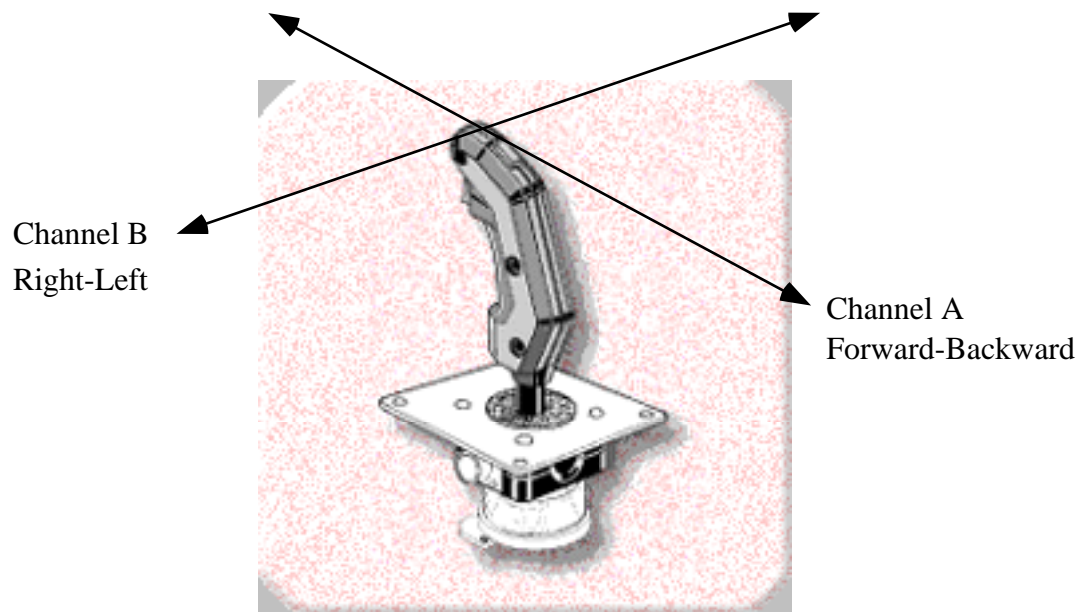
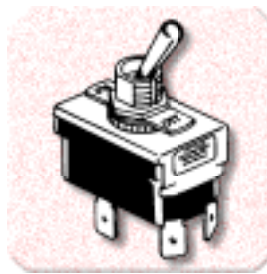


# ME72 Fall 1998 Joystick Channel Assignment and Pin Layout



Channel C  
Left Toggle



Channel D  
Right Toggle

±24V Chan A	Chan A Return	±24V Chan B	Chan B Return
±12 V Chan C	Chan C Return	±12 V Chan D	Chan D Return

Pin Layout of Front View of Power Umbilical (tab up).  
This corresponds to the back view of the panel mount  
connector supplied to students.